

• NOVA • CLASSIC 2023

Hand made in England

NOVA-CLASSIC Ltd.
6, Sancroft Street
London SE11 5UD
www.nova-classic.com
info@nova-classic.com

Distributors

Switzerland
THE BATH SHOP
the-bath-shop.com

England
THE WATER MONOPOLY LTD
www.thewatermonopoly.com

Germany
MATERIAL + KONZEPT
www.material-konzept.de

Denmark
AQUADOMO
www.aquadomo.dk

Norway
RESERVOIR
www.reservoir.no

Australia
The English Tapware Company Ltd.
www.englishtapware.com.au

New Zealand
In Residence Ltd.
www.inres.co.nz

REGENT GRAND 85 x 57cm
Basin with metal stand

•NOVA•
CLASSIC



REGENT GRAND 85 x 57 cm
Basin with pedestal

•NOVA•
CLASSIC



REGENT 55 x 43cm / 65 x 51 cm
Basin with metal stand

·NOVA·
CLASSIC



REGENT 55 x 43cm / 65 x 51 cm
Basin with pedestal

•NOVA•
CLASSIC



REGENT
WC pan



•NOVA•
CLASSIC



REGENT
WC pan
with high level cistern

•NOVA•
CLASSIC



REGENT
WC pan with low level cistern

•NOVA•
CLASSIC



JACKSON 59 x 47 cm / 74 x 53 cm
Basin with metal stand

•NOVA•
CLASSIC



JACKSON 59 x 47 cm / 74 x 53 cm
Basin with pedestal

•NOVA•
CLASSIC



JACKSON 48 x 30 cm
Cloakroom basin
available with one or two tapholes
for pillar taps

·NOVA·
CLASSIC



JACKSON
WC pan „back to wall“

•NOVA•
CLASSIC



JACKSON
WC lavatory pan C/C close coupled

•NOVA•
CLASSIC



REGENT GRAND

Basin with metal stand

The basins of this series are made for us in England. Our distinct design is based on shapes from the roaring 1920s. This big model has generous space around the bowl. As an option the basin is available with holes on both sides to fit on towelbars. Should that only be possible on one side, we can provide cover-flanges for the holes on the other side.

On the wall side of the basin there is a offset to the bottom, so the seal isn't visible.

The basin is available with one or three holes for the faucets.

A REGENT 85x57cm

One hole	77850.1L
Three holes	77850.3L

B REGENT 85x57cm with holes on both sides for towel rail

One hole	77850.1L.HT
Three holes	77850.3L.HT

C CYLINDRA Metal stand for 85x57cm

Size:	
Height: 745	
Frontbar: 750 CTC	
Sidebars: 530WTC	
Polished Nickel	70000-REG85 PN
Chrome	70000-REG85 CP

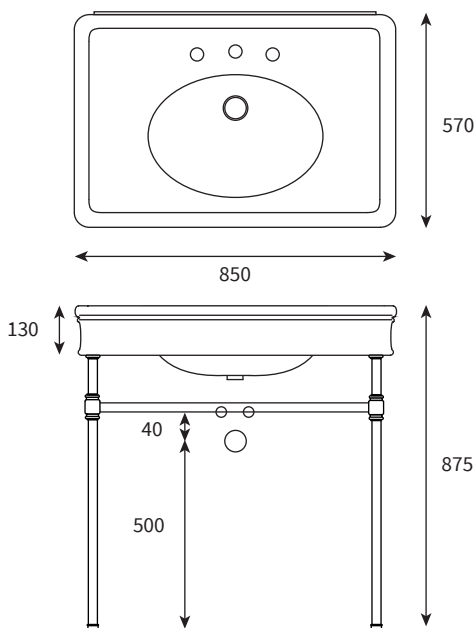
D REGENT Towel rail (metal)

80 mm , 325mm long	
Polished Nickel	4-370 NP
Chrome	4-370 CP

E REGENT Coverflanges (Set of 2)

Polished Nickel	4-372 NP
Chrome	4-372 CP

·NOVA· CLASSIC



REGENT GRAND

Basin with pedestal

The basins of this series are made for us in England. Our distinct design is based on shapes from the roaring 1920s. This big model has generous space around the bowl.

As an option the basin is available with holes on both sides to fit on towelbars. Should that only be possible on one side, we can provide cover-flanges for the holes on the other side.

On the wall side of the basin there is a offset to the bottom, so the seal isn't visible.

The pedestal foot wraps around the back completely, so that the design isn't interrupted. There is a big opening above it for the siphon.

The basin is available with one or three holes for the faucets.

A REGENT 85x57cm

One hole	77850.1L
Three holes	77850.3L

B REGENT 85x57cm with holes on both sides for towel rail

One hole	77850.1L.HT
Three holes	77850.3L.HT

C REGENT Pedestal for 85 x 57cm

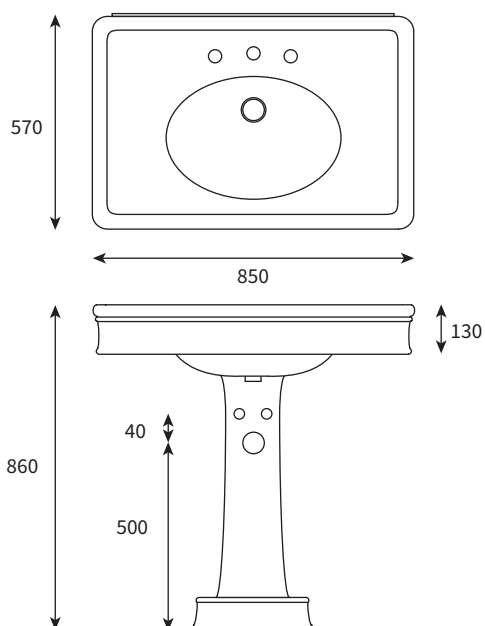
77015.00

D REGENT Towel rail (metal)

80 mm , 325mm long	
Polished Nickel	4-370 NP
Chrome	4-370 CP

E REGENT Coverflanges (Set of 2)

Polished Nickel	4-372 NP
Chrome	4-372 CP



REGENT

Basin with metal stand

The basins of this series are made for us in England. Our distinct design is based on shapes from the roaring 1920s.

Available in two sizes.

On the wall side of the basin there is a offset to the bottom, so the seal isn't visible.

The basin is available with one or three holes for the faucets.

REGENT 55x43cm

One hole

77550.1L

Three holes

77550.3L

CYLINDRA Metal stand for 55 x43cm

Size:

Height: 745

Frontbar: 450CTC

Sidebars: 378WTC

Polished Nickel

70000-REG55 PN

Chrome

70000-REG55 CP

One hole

REGENT 65x51cm

77650.1L

Three holes

77650.3L

CYLINDRA Metal stand for 65x51cm

Size:

Height: 745

Frontbar: 550CTC

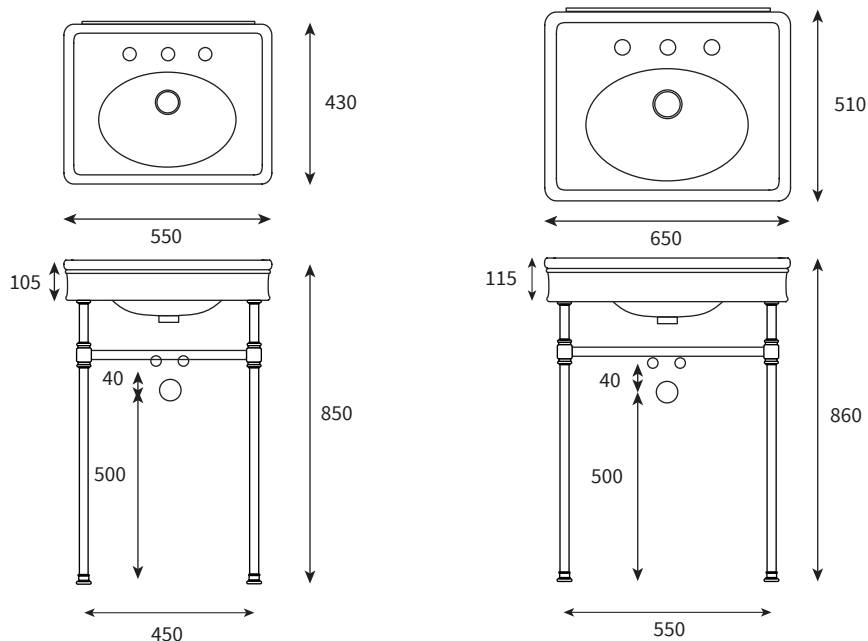
Sidebars: 460WTC

Polished Nickel

70000-REG65 PN

Chrome

70000-REG65 CP



REGENT

Basin with pedestal

The basins of this serie are made for us in England. Our destinct design is based on shapes from the roaring 1920s.

Available in two sizes.

On the wall side of the basin there is a offset to the bottom, so the seal isn't visible .

The pedestal foot wraps around the back completely, so that the design isn't interrupted. There is a big opening above it for the siphon.

The basin is available with one or three holes for the faucets.

•NOVA• CLASSIC

REGENT 55x43cm

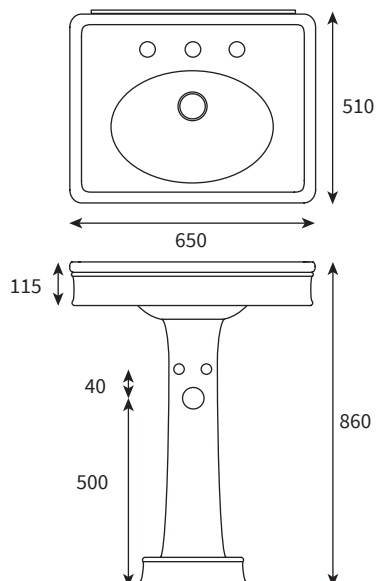
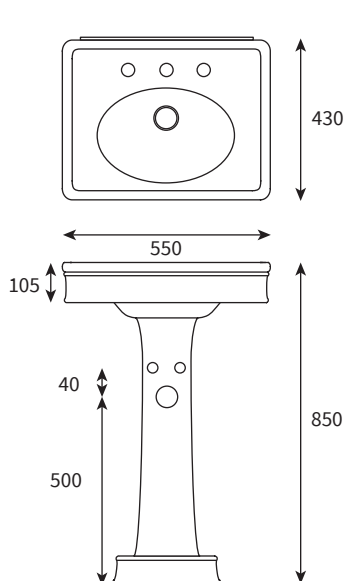
One hole 77550.1L
Three holes 77550.3L

REGENT Pedestal for 55x43cm and 65 x 51cm 77012.00

REGENT 65x51cm

One hole 77650.1L
Three holes 77650.3L

REGENT Pedestal for 55x43cm and 65 x 51cm 77012.00



REGENT

Undermount basin

•NOVA• CLASSIC

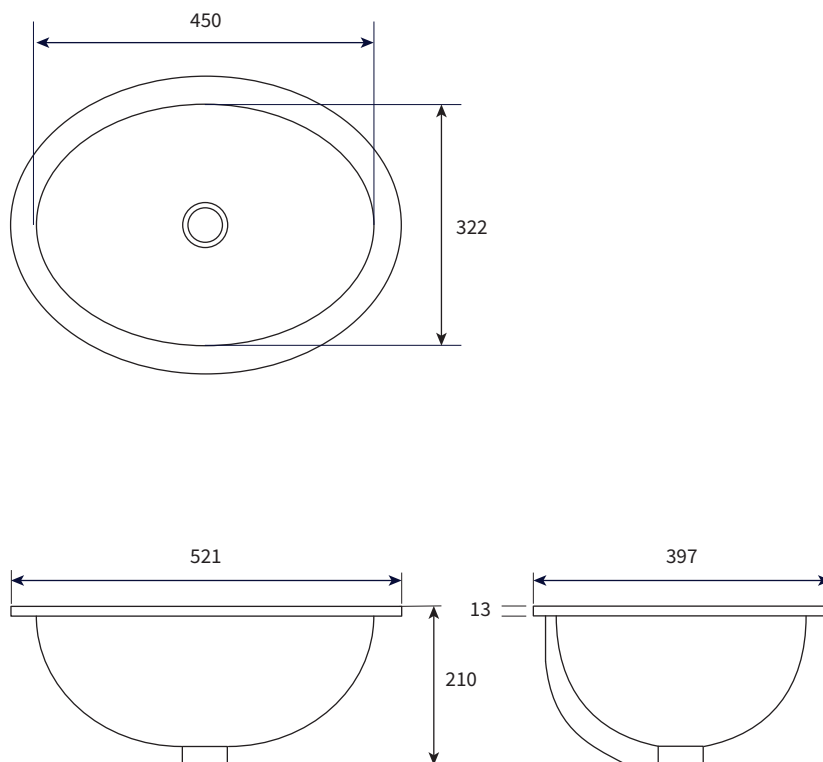
It is glazed on the outside too, so it can be used in a visible situation, like with stone top and a metal frame.

It is the same white as all REGENT items. In the JACKSON range it is available in all the colours.

Undermount basin

45 x 32 cm

76910.00.WH



REGENT WC pan

·NOVA· CLASSIC

For a good flush performance we advice using a Geberit concealed cistern:
SIGMA 12 cm, mounted at +/-97.5 cm (centre flush plate).

REGENT pan

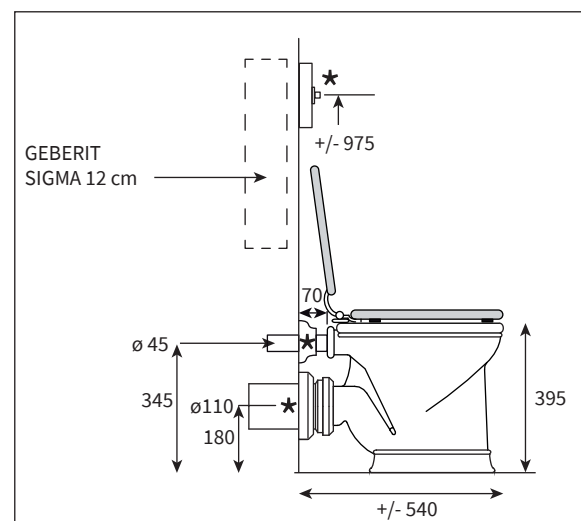
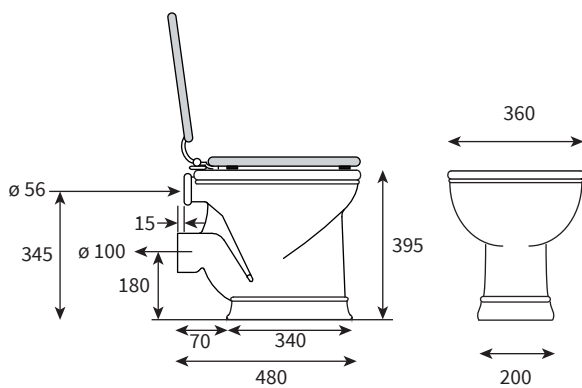
horizontal outlet

77021.00

REGENT toilet seat

available in Black-Oak, Golden-Oak, Walnut, Red Mahagony,
Satin-white

Hinges in Chrome, Pol. Nickel oder Brass



REGENT

WC pan with high level cistern

Order all items A - F, maybe G for a complete set.

Inlet: left or back side

A REGENT pan horizontal outlet 77021.00

Fixing screws and seats see pervious page

B REGENT high level cistern Export version

pullhandle on right side 77026.00

Inlet on back and left side only

C Internal parts for cistern for inlet on the side or wall

1/2" shut-off valve for wall inlet

Geberit Filling valve, Geberit-flushvalve, bolts

(side inlet requires an external visible shut-off valve and 3/8" connector)

7-800

D Pull mechanism with porcelain handle, guide

Polished Nickel 7-770 NP

Chrome 7-770 CP

E Adapter for ø35mm flushpipe

Polished Nickel 7-775 NP

Chrome 7-775 CP

F ø35mm flushpipe, 2 fastener and rubber connector

Polished Nickel 7-780 NP

Chrome 7-780 CP

G Cover for side inlet

(when using the wall inlet)

Polished Nickel 4-375 NP

Chrome 4-375 CP

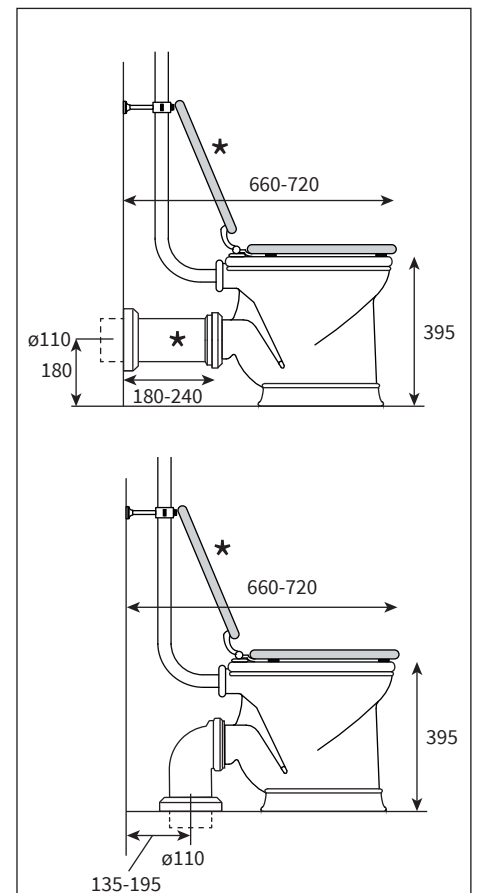
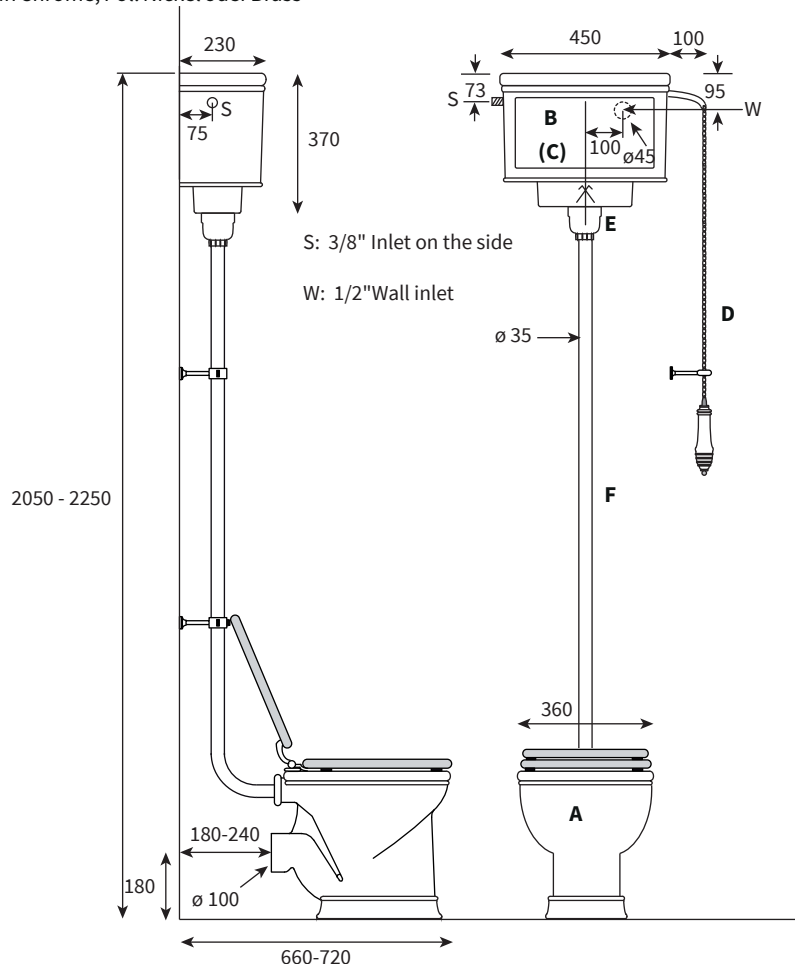
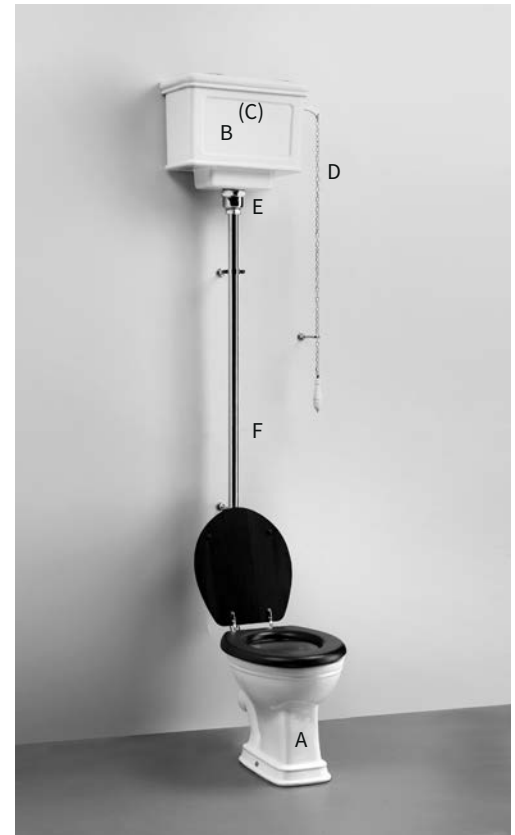
Toilet seat

available in Black-Oak, Golden-Oak, Walnut, Red Mahagony,

Satin-white

Hinges in Chrome, Pol. Nickel oder Brass

·NOVA· CLASSIC



REGENT WC pan with low level cistern

Order all items A - G for a complete set.

Inlet : left, right or back side

A REGENT pan

horizontal outlet 77021.00

Fixing screws and seats see pervious page

B REGENT low level cistern Export Version

Knob to pull on the middle of the lid

Inlet: left, right or back side possible 77025.00

C Internal parts for cistern for inlet on the side or wall

1/2" shut-off valve for wall inlet

Geberit Filling valve, Geberit-flushvalve, bolts

(side inlet requires an external visible shut-off valve and 3/8" connector) 7-800

D Pull mechanism with metal knob

Polished Nickel 7-750 NP

Chrome 7-750 CP

E Adapter for ø38mm flushpipe

Polished Nickel 7-755 NP

Chrome 7-755 CP

F ø38mm flushpipe with pan connector

ø44mm and rubber

Polished Nickel 7-760 NP

Chrome 7-760 CP

G Cover for side inlet

requires 1 pcs when using side inlet

requires 2 pcs when using the wall inlet

Polished Nickel 4-375 NP

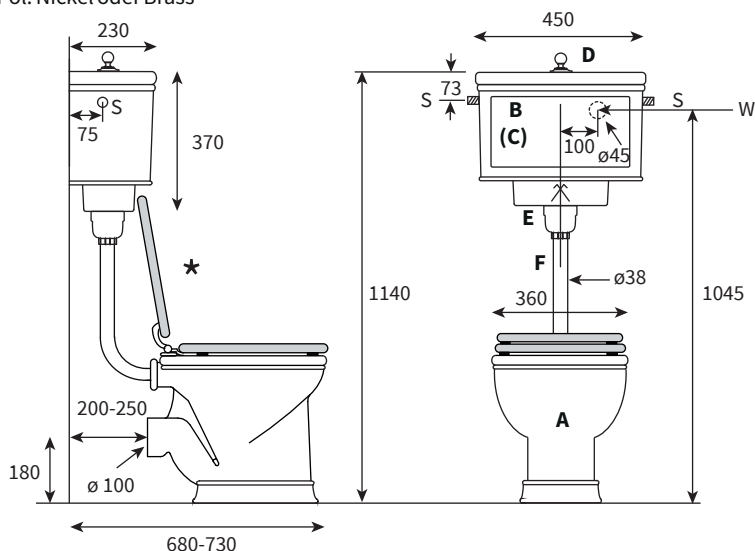
Chrome 4-375 CP

Toilet seat

available in Black-Oak, Golden-Oak, Walnut, Red Mahogany, Satin-white

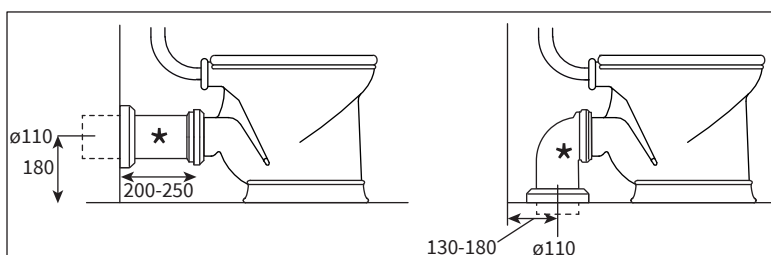
Hinges in Chrome, Pol. Nickel oder Brass

•NOVA• CLASSIC



S: 3/8" Inlet on the side

W: 1/2" Wall inlet



JACKSON

Basin with metal stand

The basins of this series are made for us in England. Our distinct design is based on shapes from the 1940/1950s. The bowl is not too large to allow space.

On the wall side of the basin there is an offset to the bottom, so the seal isn't visible.

The basin is available with one or three holes for the faucets.

JACKSON 59 x 47 cm

WHITE One hole	76600.1L.WH
WHITE Three holes	76600.3L.WH
BLUE One hole	76600.1L.BL
BLUE Three holes	76600.3L.BL
GREEN One hole	76600.1L.GR
GREEN Three holes	76600.3L.GR
YELLOW One hole	76600.1L.YE
YELLOW Three holes	76600.3L.YE
GREY One hole	76600.1L.GY
GREY Three holes	76600.3L.GY

BOULE Metal stand for JACKSON 59x47cm

Size: Height: 745 / Frontbar: 455 CTC Sidebars: 400 WTC	
Polished Nickel	70100-JAC59 NP
Chrome	70100-JAC59 CP

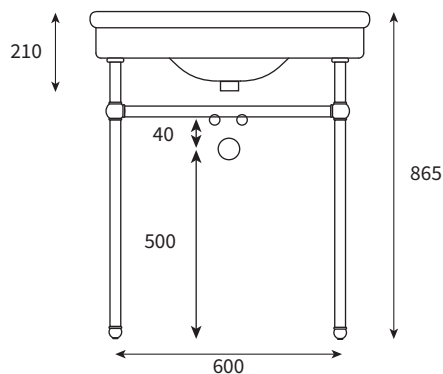
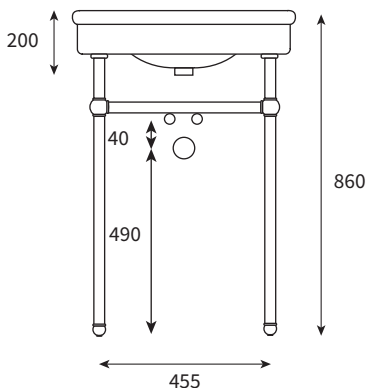
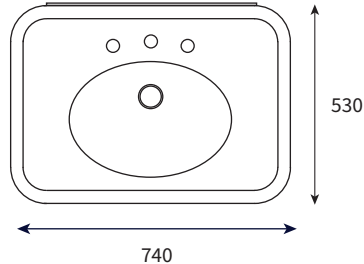
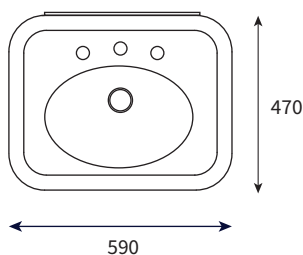
JACKSON 74 x 53 cm

WHITE One hole	76750.1L.WH
WHITE Three holes	76750.3L.WH
BLUE One hole	76750.1L.BL
BLUE Three holes	76750.3L.BL
GREEN One hole	76750.1L.GR
GREEN Three holes	76750.3L.GR
YELLOW One hole	76750.1L.YE
YELLOW Three holes	76750.3L.YE
GREY One hole	76750.1L.GY
GREY Three holes	76750.3L.GY

BOULE Metal stand for JACKSON 74x53cm

Size: Height: 745 / Frontbar: 600 CTC / Sidebars: 455 WTC	
Polished Nickel	70100-JAC74 NP
Chrome	70100-JAC74 CP

·NOVA· CLASSIC



JACKSON

Basin with pedestal

The basins of this series are made for us in England. Our distinct design is based on shapes from the 1940/1950s. The bowl is not too large to allow space.

On the wall side of the basin there is a offset to the bottom, so the seal isn't visible.

The basin is available with one or three holes for the faucets.

JACKSON Basin 59 x 47 cm

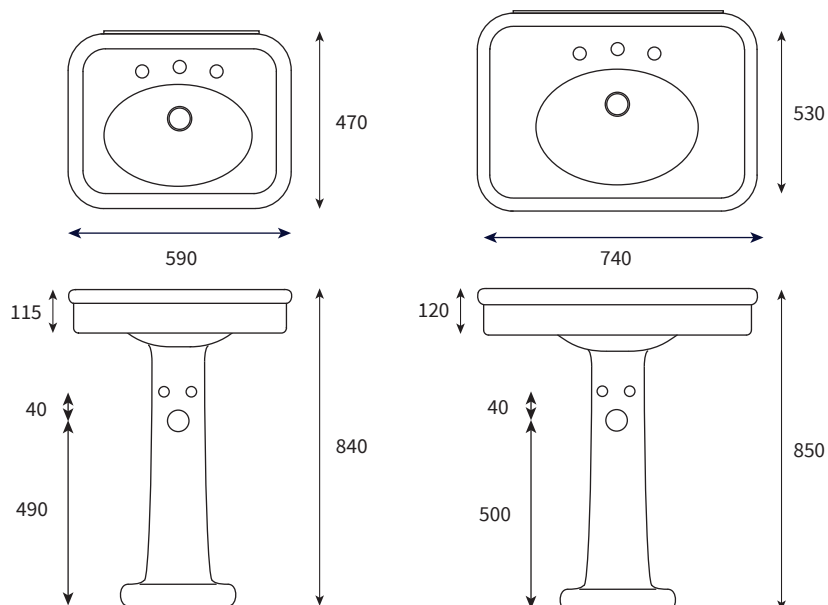
WHITE One hole	76600.1L.WH
WHITE Three holes	76600.3L.WH
BLUE One hole	76600.1L.BL
BLUE Three holes	76600.3L.BL
GREEN One hole	76600.1L.GR
GREEN Three holes	76600.3L.GR
YELLOW One hole	76600.1L.YE
YELLOW Three holes	76600.3L.YE
GREY One hole	76600.1L.GY
GREY Three holes	76600.3L.GY

JACKSON Basin 74 x 53 cm

WHITE One hole	76750.1L
WHITE Three holes	76750.3L
BLUE One hole	76750.1L.BL
BLUE Three holes	76750.3L.BL
GREEN One hole	76750.1L.GR
GREEN Three holes	76750.3L.GR
YELLOW One hole	76750.1L.YE
YELLOW Three holes	76750.3L.YE
GREY One hole	76750.1L.GY
GREY Three holes	76750.3L.GY

JACKSON Pedestal for JACKSON 59x47 and 74x53cm

WHITE	76515.00.WH
BLUE	76515.00.BL
GREEN	76515.00.GR
YELLOW	76515.00.YE
GREY	76515.00.GY



JACKSON

Cloakroom basin

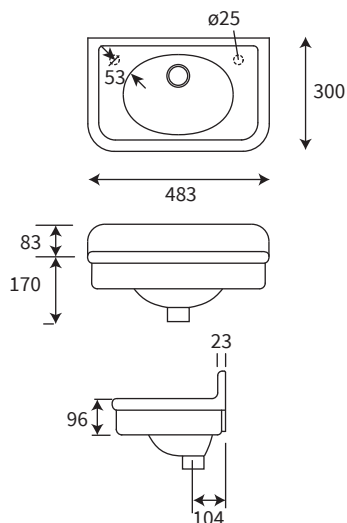
The basins of this series are made for us in England. Our distinct design is based on shapes from the 1940/1950s. The bowl is not too large to allow space.

Wall hung basin. Available with no, one or two tapholes for pillar taps.

JACKSON Basin 48 x 30 cm

WHITE No tapholes	76480.0L.WH
WHITE One taphole on right side	76480.1L.WH
WHITE Two tapholes on left and right side	76480.2L.WH
BLUE No tapholes	76480.0L.BL
BLUE One taphole on right side	76480.1L.BL
BLUE Two tapholes on left and right side	76480.2L.BL
GREEN No tapholes	76480.0L.GR
GREEN One taphole on right side	76480.1L.GR
GREEN Two tapholes on left and right side	76480.2L.GR
YELLOW No tapholes	76480.0L.YE
YELLOW One taphole on right side	76480.1L.YE
YELLOW Two tapholes on left and right side	76480.2L.YE
GREY No tapholes	76480.0L.GY
GREY One taphole on right side	76480.1L.GY
GREY Two tapholes on left and right side	76480.2L.GY

·NOVA· CLASSIC



JACKSON Undermount basin

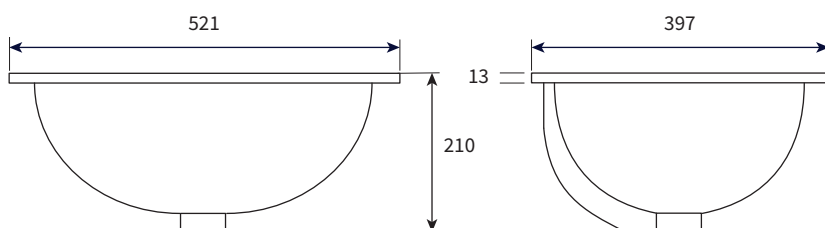
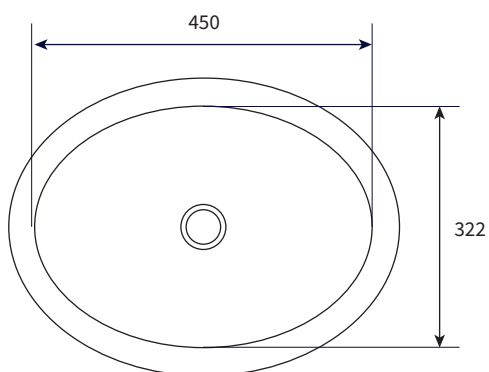
It is glazed on the outside too, so it can be used in a visible situation, like with stone top and a metal frame.

The white is the same as on all the JACKSON or REGENT range.

Undermount basin

WHITE	45 x 32 cm	76910.00.WH
BLUE	45 x 32 cm	76910.00.BL
GREEN	45 x 32 cm	76910.00.GR
YELLOW	45 x 32 cm	76910.00.YE
GREY	45 x 32 cm	76910.00.GY

•NOVA•
CLASSIC



JACKSON WC pan „back to wall“

This series are made for us in England. Our distinct design is based on shapes from the 1940/1950s.

For a good flush performance we advice using a Geberit concealed cistern: SIGMA 12 cm, mounted at +/-98.5 cm (centre flush plate).

A JACKSON pan

WHITE	76521.00.WH
BLUE	76521.00.BL
GREEN	76521.00.GR
YELLOW	76521.00.YE
GREY	76521.00.GY

B Coverflange

With this coverflange you are able to connect the lavatory pan to a $\varnothing 90$ mm wastepipe.

Set includes Geberit Inlet + Soil pipe, no. 152.426.46.1

Nickel plated	89001.01
Chrome plated	89001.03
WHITE (powder-coated)	89001.00.WH
BLUE (powder-coated)	89001.00.BL
GREEN (powder-coated)	89001.00.GR
YELLOW (powder-coated)	89001.00.YE
GREY (powder-coated)	89001.00.GY

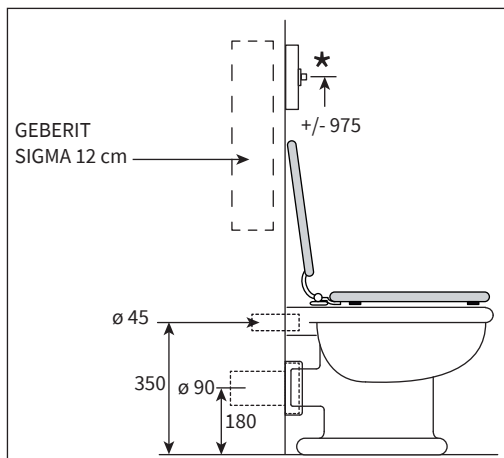
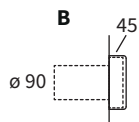
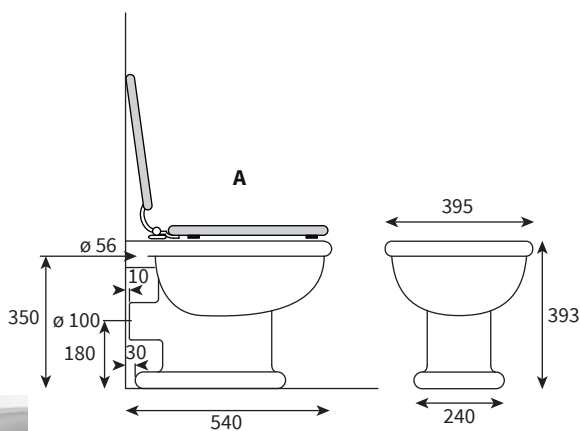
Toilet seat

available in Black-Oak, Golden-Oak, Walnut, Red Mahagony,

Satin-white and in alle ceramic colours

Hinges in Chrome, Pol. Nickel oder Brass

·NOVA· CLASSIC



JACKSON

WC pan C/C close coupled

This series are made for us in England. Our distinct design is based on shapes from the 1940/1950s.

Inlet can be on left or right side or on the back.

Order all items A - E for a complete set.

A JACKSON C/Cpan

WHITE	76518.00.WH
BLUE	76518.00.BL
GREEN	76518.00.GR
YELLOW	76518.00.YE
GREY	76518.00.GY

B JACKSON Cistern

Inlet: left, right or back side possible

WHITE	76519.00.WH
BLUE	76519.00.BL
GREEN	76519.00.GR
YELLOW	76519.00.YE
GREY	76519.00.GY

C Internal parts for cistern for inlet on the side or wall

1/2" shut-off valve for wall inlet

Geberit Filling valve, Geberit-flushvalve, bolts

(side inlet requires an external visible shut-off valve and 3/8" connector)

7-800

D Pull mechanism with metal knob

Polished Nickel

7-750 NP

Chrome

7-750 CP

G Cover for side inlet

requires 1 pcs when using side inlet

requires 2 pcs when using the wall inlet

Polished Nickel

4-375 NP

Chrome

4-375 CP

Toilet seat

available in Black-Oak, Golden-Oak, Walnut, Red Mahogany,

Satin-white and in alle ceramic colours

Hinges in Chrome, Pol. Nickel oder Brass

